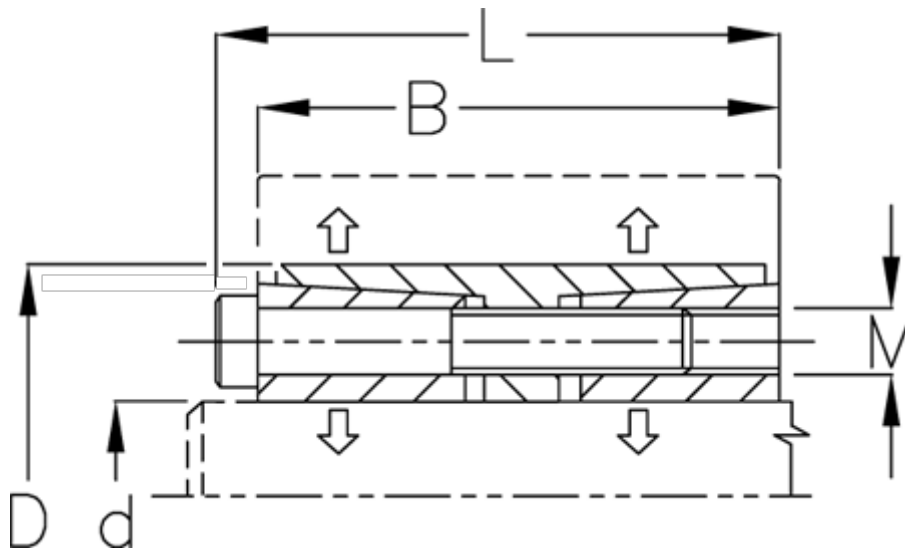


Article number: 4395000751

Description: Rota-fix shaft-hub connection F75x115  
Stainless steel

## Measures



B mm	= 80
d H8 mm	= 75
D mm	= 115
Fit tolerance	= Aksel h8, Nav H8
F kN torque	= 179.0
L mm	= 90
M mm	= M10
P N/mm <sup>2</sup> surface pressure on shaft/hub	= 35

Surface roughness	= R ? ? 3.2 µm
T N m torque	= 6710
Ts N m bolt tightening torque	= 58.0